

Thermo Fisher Scientific® Flash series

CHNS/NCS/S determination

CHN determination

without quartz crucible

with quartz crucible

NCS/S modes

Key			
Product	Qty	OEM No.	Part No.
1 Seal chamfered square profile		29022910	E1041
2 Reaction tube		46820070	C1069
3 Quartz wool	10 mm	33822200	B1017
4 Copper oxide	50 mm	33821710	B1002
5 Quartz wool	20 mm	33822200	B1017
6 Electrolytic copper	140 mm	338 35314	B1238
8 Bottom o-ring for 18 mm OD quartz reactor		29020640	E6052
9 Quartz liner		25204510	C1120
10 Copper oxide	49.5 mm	33821710	B1002
11 Quartz wool	0.5 mm	33822200	B1017
12 Small water adsorption filter assembly		28113104	E2341
13 Magnesium perchlorate		33821900	B1274
<hr/>			
A Prepacked reactor CHNS/NCS/S		46802007	X1155
B Prepacked reactor CHNS/NCS/S inc crucible		46802015	X1160

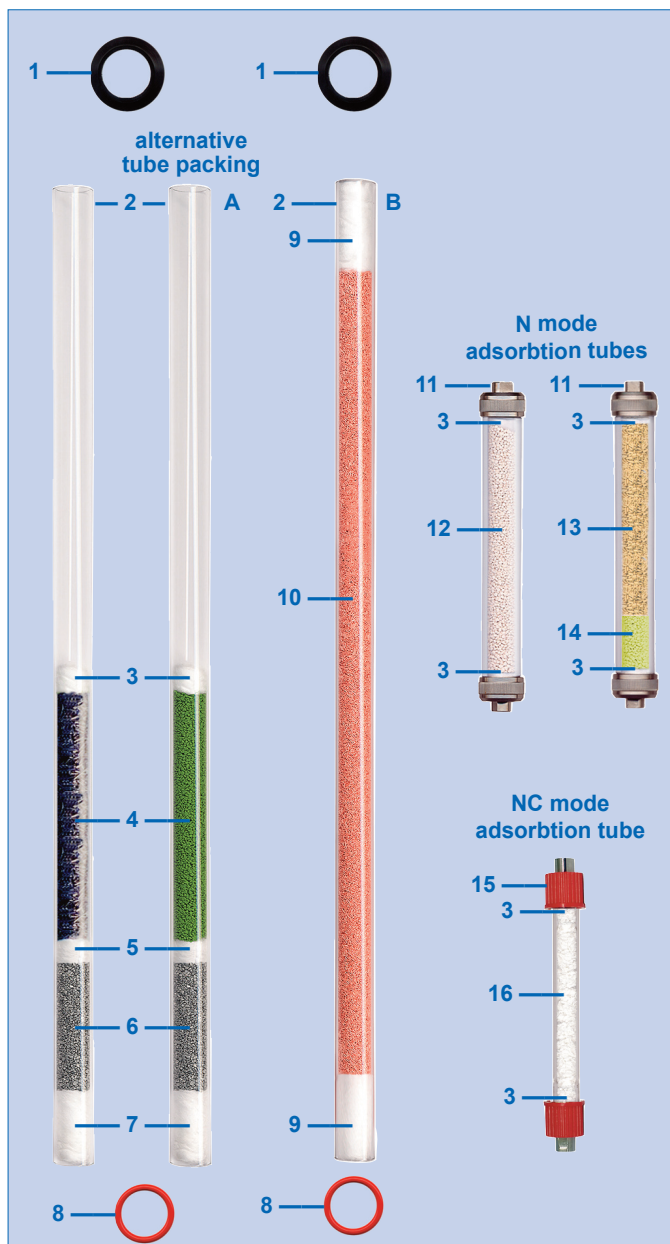
without quartz crucible

with quartz crucible

Key			
Product	Qty	OEM No.	Part No.
1 Seal chamfered square profile		29022910	E1041
2 Reaction tube		46820070	C1069
3 Quartz wool	10 mm	33822200	B1017
4 Chromium oxide granular	50 mm	33822900	B1004
5 Copper wires, coarse	110 mm	33835312	B1046
6 Cobaltous(ic) oxide silvered	30 mm	33824500	B1000
7 Quartz wool	30 mm	33822200	B1017
8 Bottom o-ring for 18 mm OD quartz reactor		29020640	E6052
9 Quartz liner		25204510	C1120
<hr/>			
A Prepacked combustion/reduction tube		46802009	X1151

Thermo Fisher Scientific® Flash series

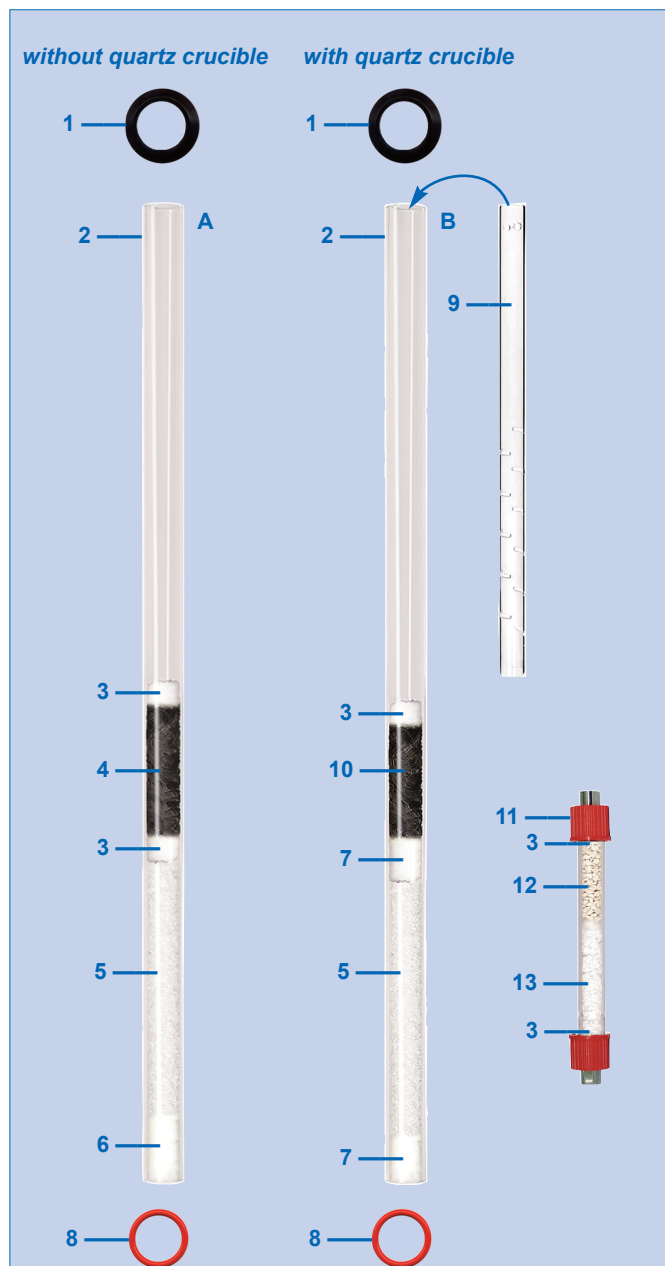
N/NC determination



Key

Product	Qty	OEM No.	Part No.
1 Seal chamfered square profile		29022910	E1041
2 Reaction tube		46820070	C1069
3 Quartz wool	10 mm	33822200	B1017
4 Copper oxide or Chromium oxide	100 mm	33821710 33822900	B1002 B1004
5 Quartz wool	20 mm	33822200	B1017
6 Cobaltous(ic) oxide silvered	50 mm	33824500	B1000
7 Quartz wool	40 mm	33822200	B1017
8 Bottom o-ring for 18 mm OD quartz reactor		29020640	E6052
9 Quartz wool	50 mm	33822200	B1017
10 Copper wires, coarse	350 mm	33835300	B1016
11 Large adsorption trap CO ₂		28113064	F5162
12 Soda lime granular	230 mm	33835235	B1211
13 Molecular sieve 3A	180 mm	33801801	B1047
14 Silica gel self-Indicating granular	50 mm	33840035	B1044
15 Small water adsorption filter assembly		28113104	E2341
16 Magnesium perchlorate		33821900	B1274
A Prepacked reactor N/NC		46820076	X1170
B Prepacked reduction reactor		46820077	X1171

O determination



Key

Product	Qty	OEM No.	Part No.
1 Seal chamfered square profile		29022910	E1041
2 Reaction tube		46820070	C1069
3 Quartz wool	10 mm	33822200	B1017
or Nickel wool, fine wire	10 mm	33825000	B1007
4 Nickelised carbon 30% Ni granular	60 mm	33823800	B1086
5 Quartz chips	120 mm	33822300	B1008
6 Quartz wool	30 mm	33822200	B1017
7 Quartz wool	20 mm	33822200	B1017
8 Bottom o-ring for 18 mm OD quartz reactor		29020640	E6052
9 Quartz liner		25204510	C1120
10 Nickelised carbon 30% Ni granular	50 mm	33823800	B1086
11 Small water adsorption filter assembly		28113104	E2341
12 Soda lime granular		33835235	B1211
13 Magnesium perchlorate		33821900	B1274
A Packed reactor tube, oxygen		-	X1167
B Packed reactor tube, oxygen		-	X1153

NB Does not include quartz liner - please purchase item 9 separately